

# High Voltage Heap Charge Pump Design

## Bachelor/Master/Studien/Diploma Thesis

### Background:

Charge Pump circuits can generate higher voltage than the power supply. In There is one interesting charge pump structure, which can have the potential high voltage applications. ( Heap Charge Pump.)

23. November 2011

Fachbereich 18

Elektrotechnik und  
Informationstechnik

Institut für  
Datentechnik

FG Integrierte  
Elektronische Systeme

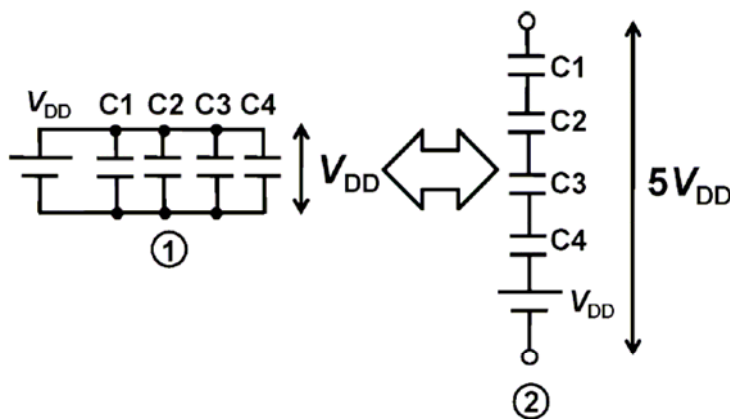
Integrated Electronic  
Systems Lab



Prof. Dr.-Ing. Klaus  
Hofmann

Merckstraße 25  
64283 Darmstadt

Tel.: +49 6151 16 - 5136  
Fax: +49 6151 16 - 4936  
Klaus.Hofmann@ies.tu-  
darmstadt.de



### Objectives:

The main goal of this thesis is to design a high voltage Heap Charge Pump by using Cadence-tools and design-kits of Austriamicrosystems.

This thesis offers the possibility to deepen your understanding of the analog circuits.

### Skills:

- Good knowledge in analog circuits/Spice Simulation
- Joy to implement
- Autonomy and motivation

### Contact:

If you are interested in this topic, please contact:

Lufei Shen S3|06 345a  
Merckstrasse 25, lufeis@ies.tu-darmstadt.de